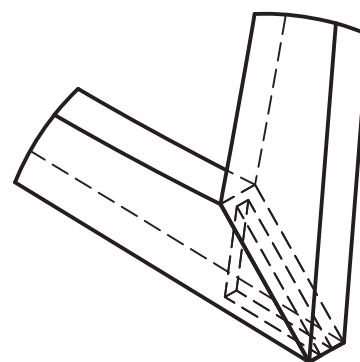
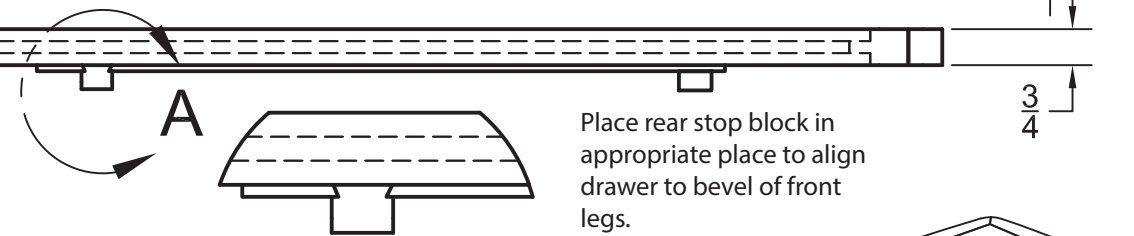


Chamfer all but the top edges of the leg assembly after gluing and sanding.

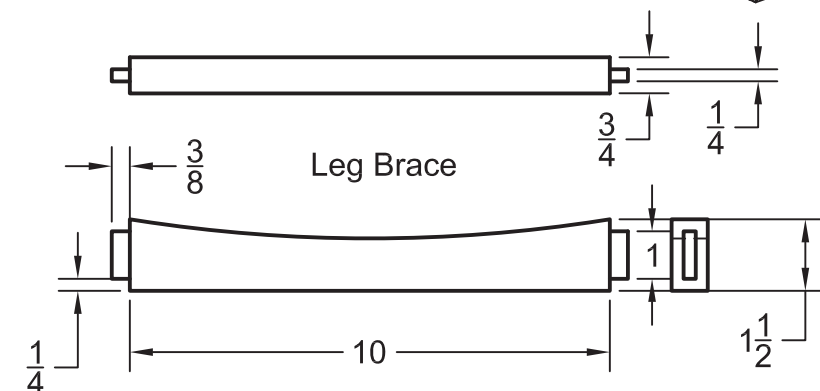
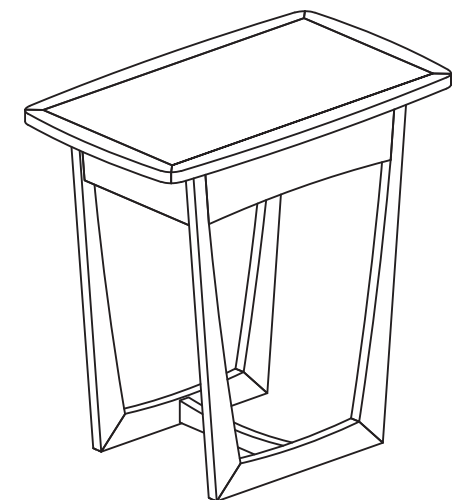
Chamfer the leg brace and lower edges of the case back before assembling, or it'll be harder to get the router in there!

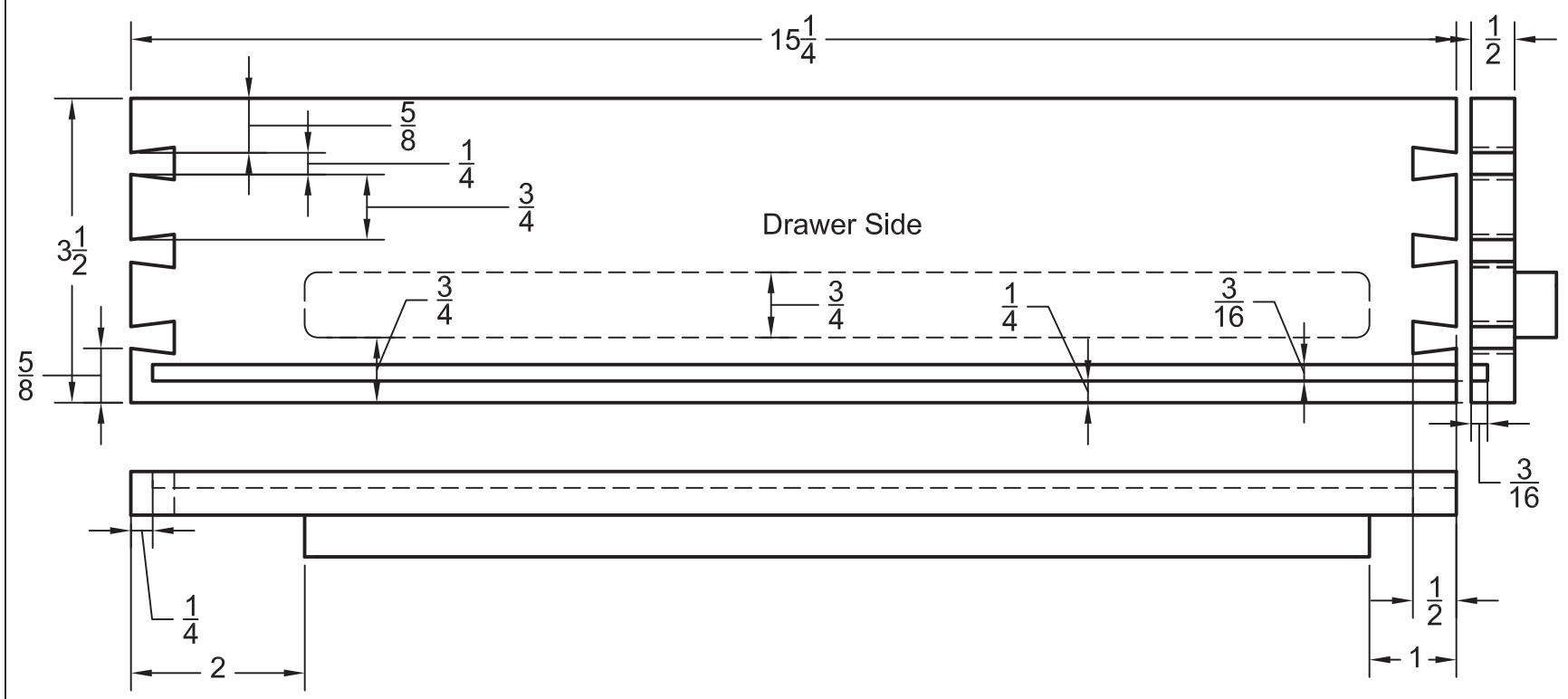
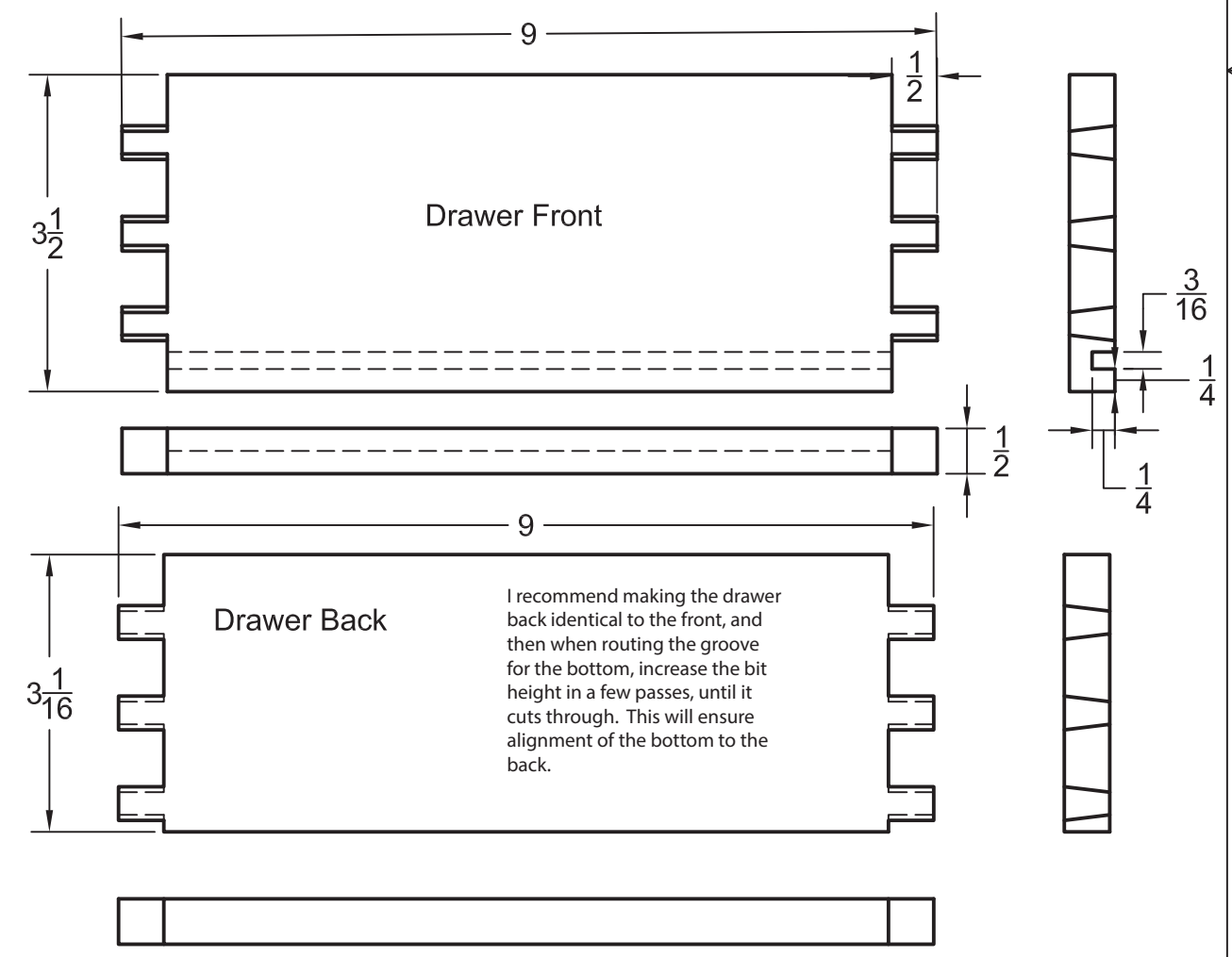
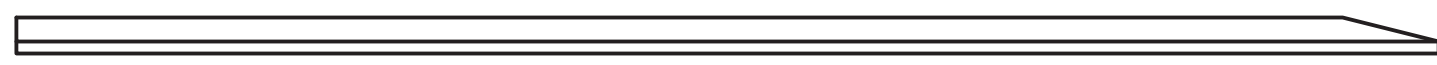
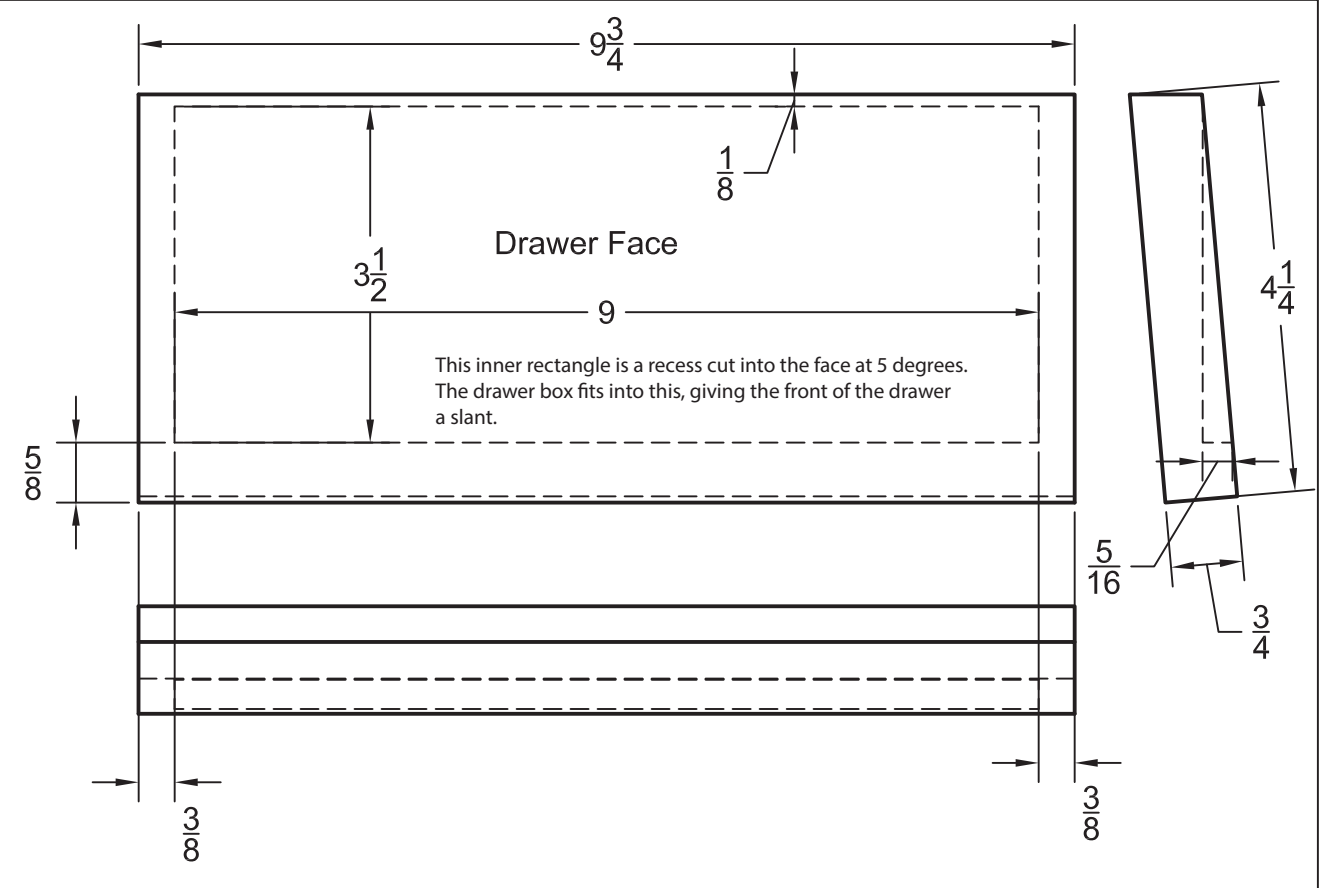
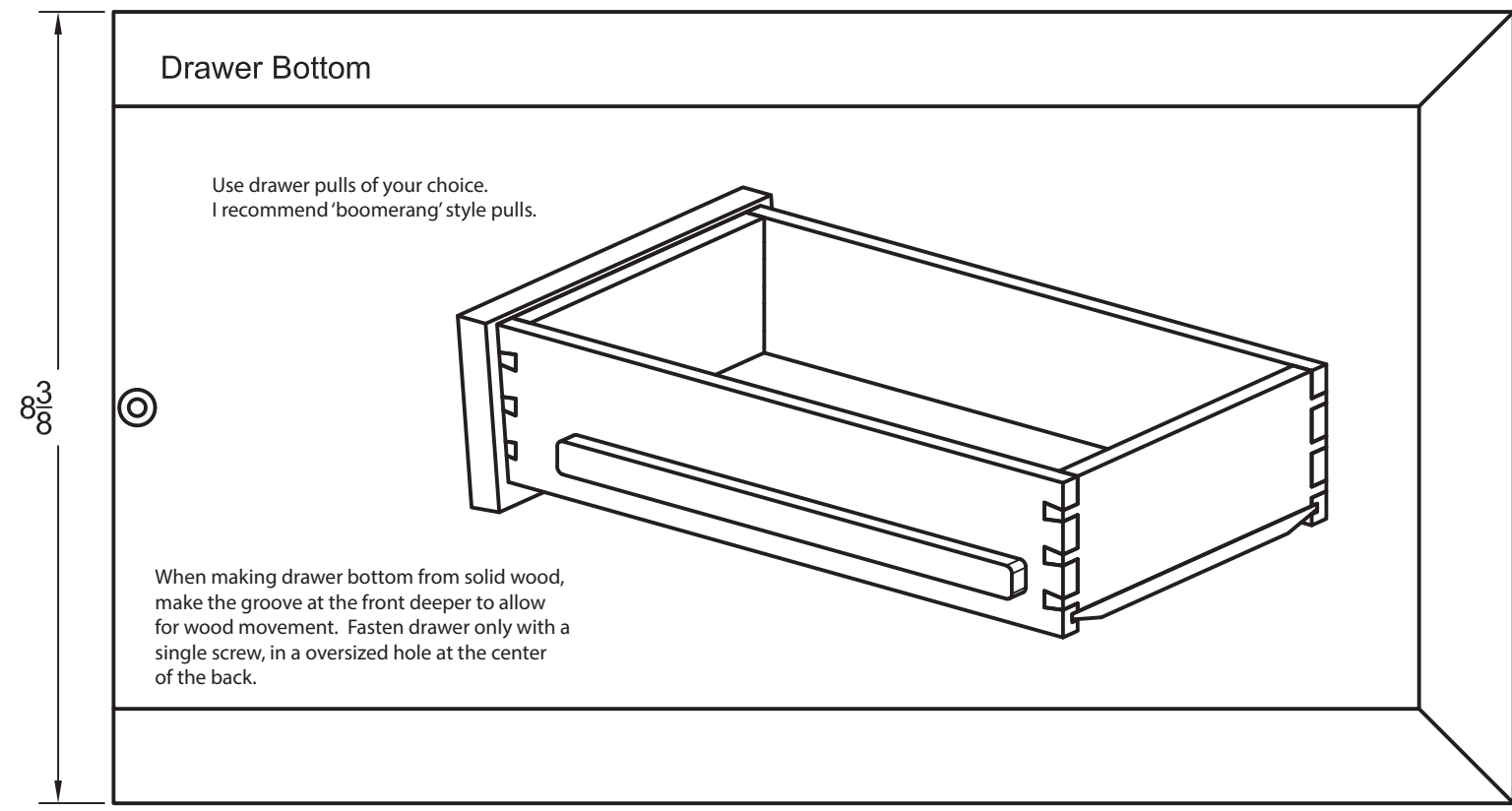


Lower leg corners are bridle miter joints. Cut 1/4" slots in cross bar.

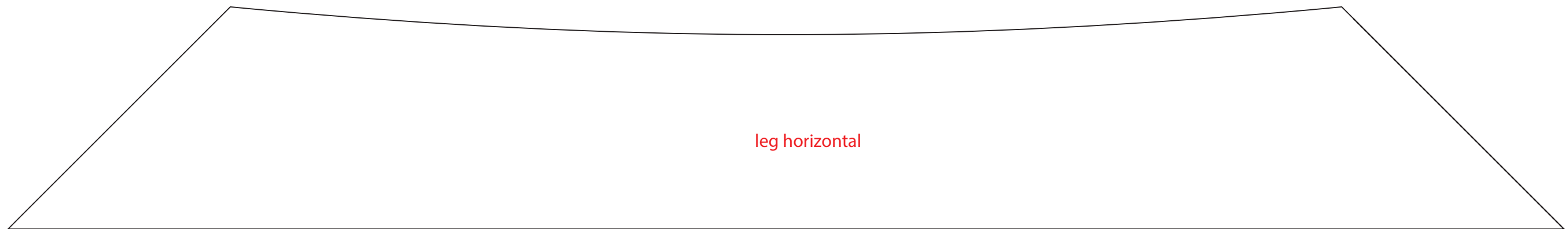
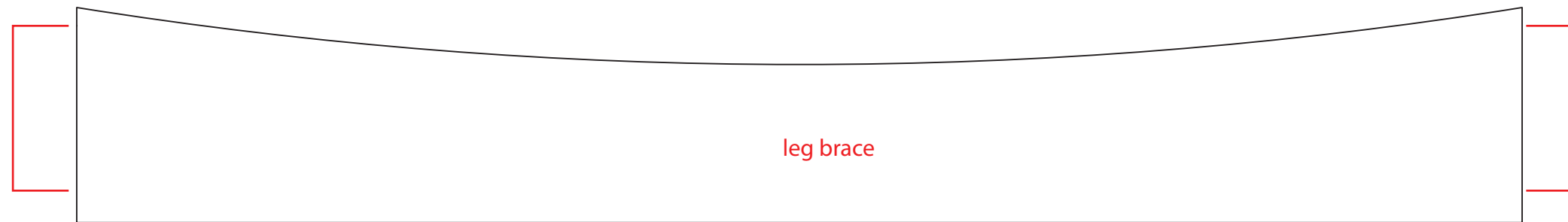


Make a small block with angled notches cut into the sides to stop the drawer from falling out the front. If you make the notches angled from end-to-end then you can wedge it in place when the drawer is slid in and still be able to remove it in order to remove the drawer.



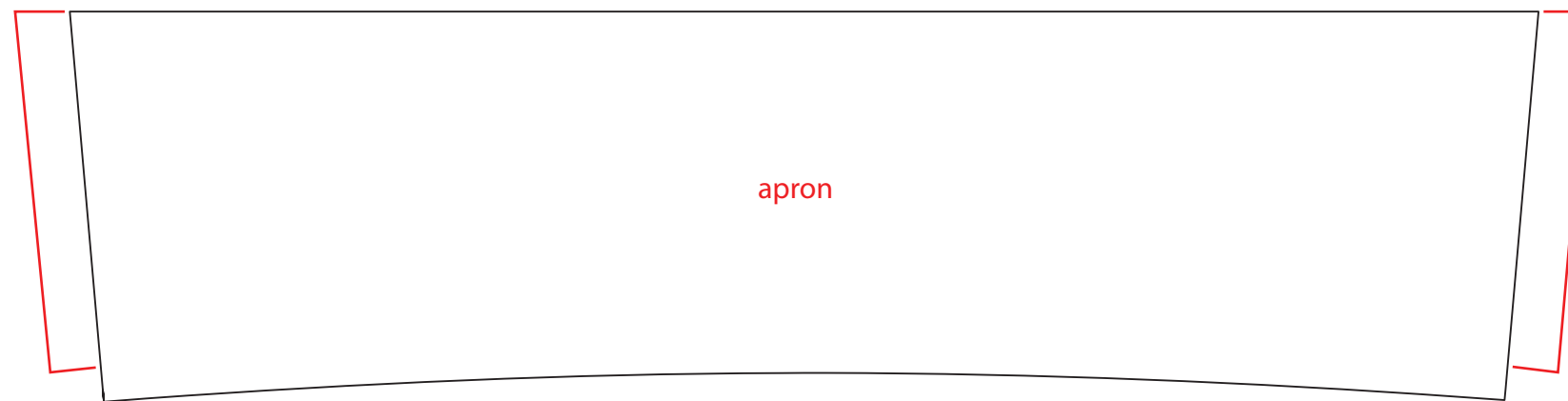
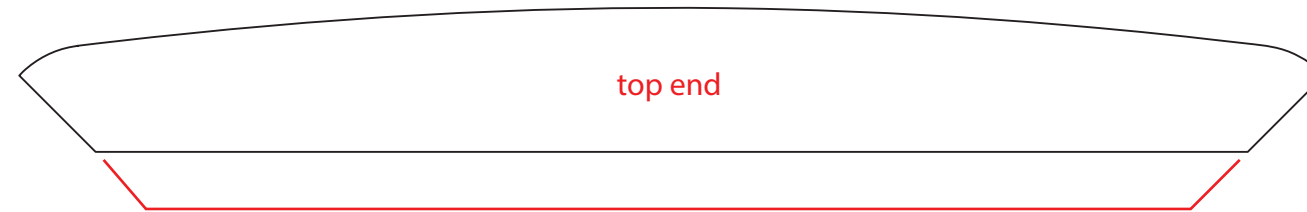


Use these only to cut the long curves. Be sure to leave extra wood where the red lines indicate. Refer to plans for details.

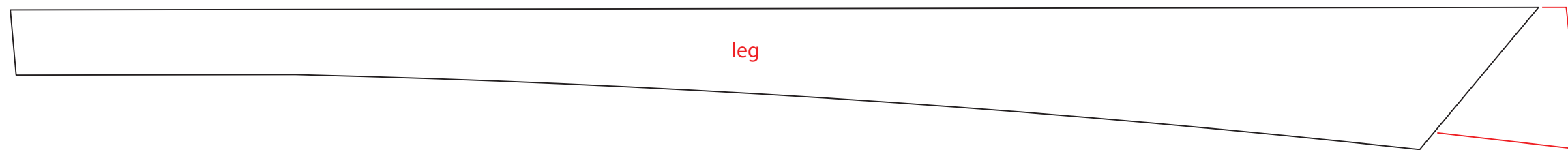


**Print/Cut these templates at 100%**

Use these only to cut the long curves. Be sure to leave extra wood where the red lines indicate. Refer to plans for details.



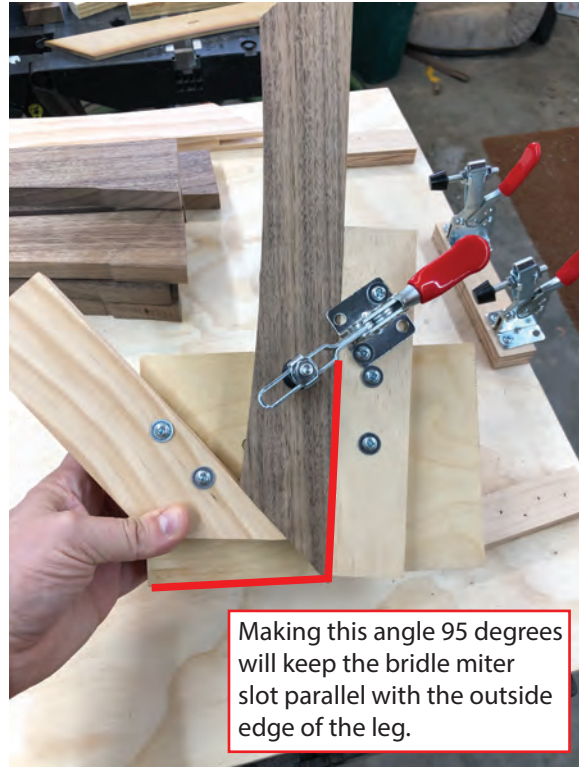
Leave extra on the ends for joinery



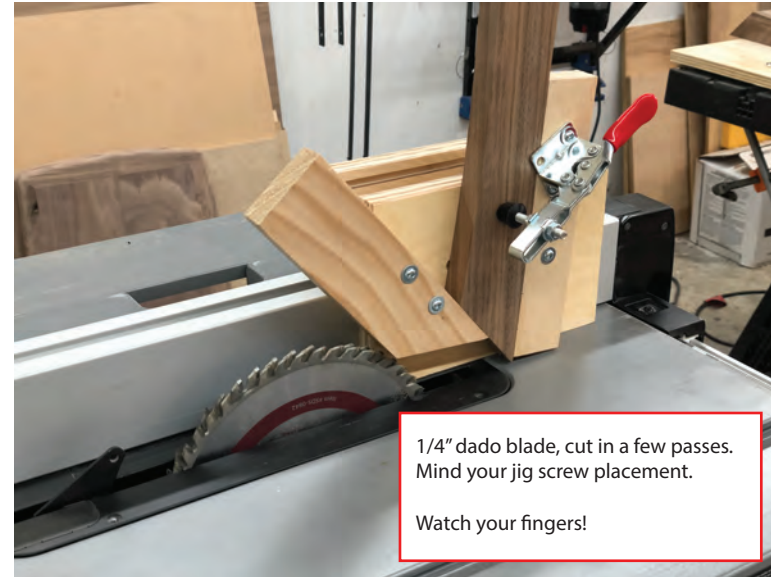
Be sure to leave extra here for bridle miter

Print/Cut these templates at 200%

Simple DIY Jigs for this project.

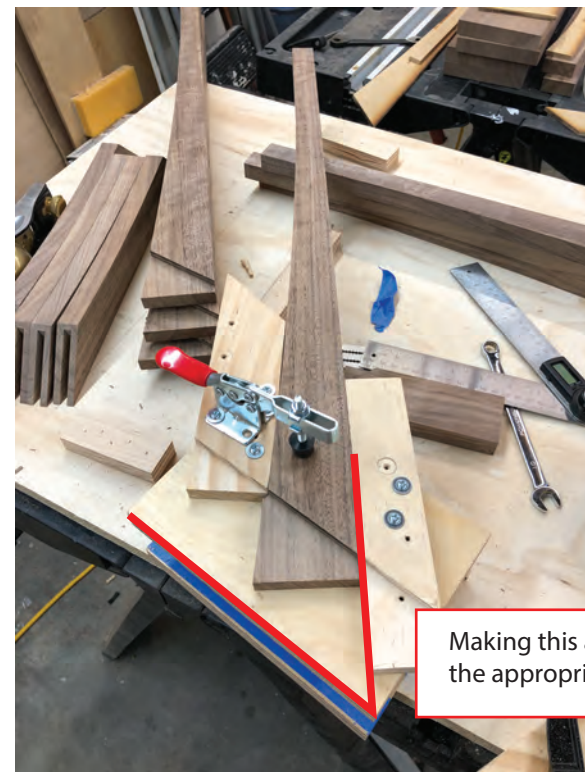


Making this angle 95 degrees will keep the bridle miter slot parallel with the outside edge of the leg.



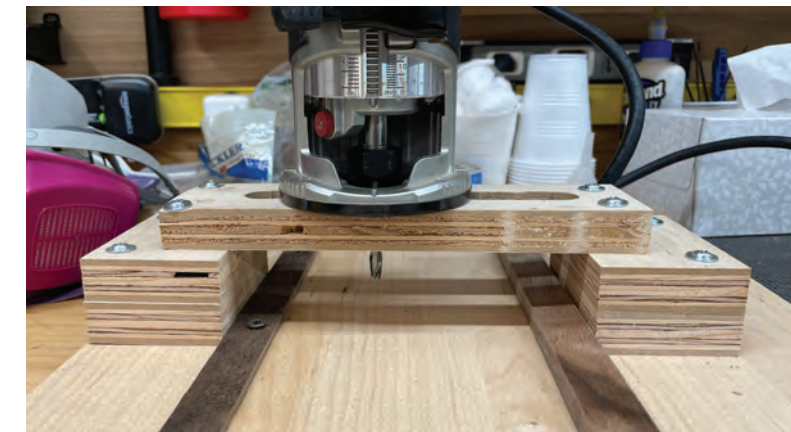
1/4" dado blade, cut in a few passes. Mind your jig screw placement. Watch your fingers!

Here's my on-the-cheap jig for cutting the bridle miter. Both this jig and the one for the vertical leg pieces ride on a saddle that fits over the table saw fence.

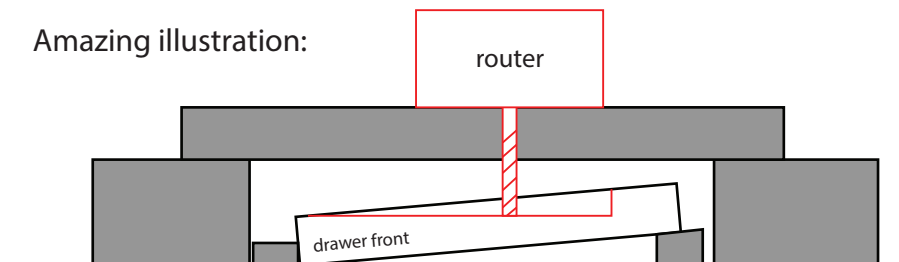


Making this angle 50 degrees will give the legs the appropriate angle when joined with the base.

Cut all legs on one side first, then adjust fence and cut away inner 1/4" using saddle as a sacrificial fence.



Amazing illustration:



This is my jig for cutting the recess in the drawer fronts.

There is an angled piece of wood that holds the front at a 5 degree angle.

The wood is held in place with some double-sided tape.

The little bridge is scrap 3/4" plywood, with a slot cut in it (forstner bit and chisels).

I used a trim router with a 1/4" spiral bit. Set the bit to the height of the wood 1/8" from the top edge and then use the router sliding across the bridge to hog out most of the wood. Clean up the edges with chisels.